

# Thermofit<sup>®</sup> Molded Parts

## Specification Control Drawing

### Limited Distribution

Part Number : 222A111 thru 196-25/225

Description : Boot, 90°, Thin Wall

#### NOTES

- All dimensions are in  $\frac{\text{inches}}{\text{millimeters}}$   $\frac{\text{lbs}}{\text{[gms]}}$
- Dimensions appearing in table are as follows:
  - a - As Supplied
  - b - After Unrestricted Recovery
- Coating is optional. As supplied dimensions appearing in table are for uncoated parts. When coating is added, entry diameters will be reduced by .06 max.
- Molding parts are optional. When -00 modification number is specified molding parts will be located as shown.

On sizes 222A111 and 222A121 the .18 diameter molding port at "T" will be eliminated. The .12 diameter molding port will be enlarged to .18.

- Weight shown in table of dimensions is based on polyolefin part.

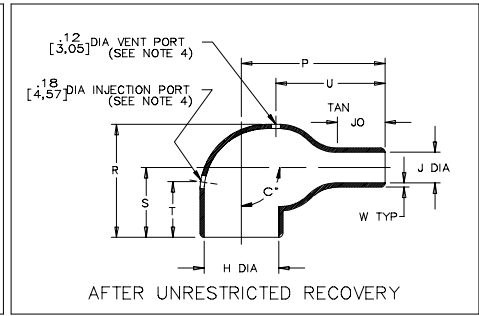
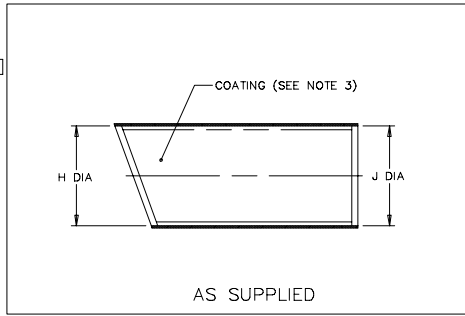


TABLE OF DIMENSIONS

PART NUMBER	H		J		P	R	S	T	U	JO	W	C'			Weight Nom
	Min	Max	Min	Max	±10%	±10%	±10%	±10%	±10%	±10%	±20%	±10%	±5%	±10%	
	a	b	a	b	b	b	b	b	b	b	b	a	b	b	
222A111-25/225	.70 [17,8]	.31 [7,9]	.70 [17,8]	.15 [3,8]	.68 [17,3]	.79 [20,1]	.61 [15,5]	N/A	.45 [11,4]	.17 [4,3]	.04 [1,02]	180	90	.002 [0,91]	
222A121-25/225	.98 [24,9]	.40 [10,2]	.98 [24,9]	.21 [5,3]	.84 [21,3]	.89 [22,6]	.65 [16,5]	N/A	.58 [14,7]	.23 [5,8]	.05 [1,3]	180	90	.003 [1,36]	
222A132-25/225	1.18 [30,0]	.56 [14,2]	1.18 [30,0]	.25 [6,4]	1.06 [26,9]	1.05 [26,7]	.73 [18,5]	.75 [19,1]	.70 [17,8]	.28 [7,1]	.06 [1,5]	180	90	.006 [2,72]	
222A142-25/225	1.28 [32,5]	.68 [17,3]	1.28 [32,5]	.27 [6,9]	1.44 [36,6]	1.20 [30,5]	.81 [20,6]	.75 [19,1]	.98 [24,9]	.40 [10,2]	.07 [1,8]	180	90	.014 [6,35]	
222A152-25/225	1.42 [36,1]	.86 [21,8]	1.42 [36,1]	.33 [8,4]	1.72 [43,7]	1.38 [35,1]	.90 [22,9]	.75 [19,1]	1.18 [30,0]	.50 [12,7]	.07 [1,8]	180	90	.019 [8,62]	
222A163-25/225	1.73 [43,9]	1.08 [27,4]	1.73 [43,9]	.37 [9,4]	2.11 [53,6]	1.73 [43,9]	1.15 [29,2]	.75 [19,1]	1.34 [34,0]	.68 [17,3]	.08 [2,0]	180	90	.029 [13,15]	
222A174-25/225	2.09 [53,1]	1.33 [33,8]	2.09 [53,1]	.59 [15,0]	2.98 [75,7]	2.08 [52,8]	1.34 [34,0]	1.00 [25,4]	2.10 [53,3]	1.26 [32,0]	.13 [3,3]	180	90	.077 [34,93]	
222A185-25/225	2.66 [67,6]	1.74 [44,2]	2.66 [67,6]	.80 [20,3]	3.84 [97,5]	2.60 [66,0]	1.66 [42,2]	1.00 [25,4]	2.80 [71,1]	1.60 [40,6]	.15 [3,8]	180	90	.143 [64,86]	
222A196-25/225	3.45 [87,6]	2.18 [55,4]	3.45 [87,6]	.92 [23,4]	5.04 [128,0]	3.12 [79,2]	1.93 [49,0]	1.00 [25,4]	3.45 [87,6]	2.22 [56,4]	.18 [4,6]	180	90	.310 [140,6]	

**Raychem**

RAYCHEM CORPORATION  
300 CONSTITUTION DRIVE  
MENLO PARK, CALIFORNIA 94025  
(415) 361-6055

Revision : A

Date : 5/27/93

Part Number : 222A111 thru 196-25/225

Description : Boot, 90°, Thin Wall

# Thermofit<sup>®</sup> Molded Parts

## Specification Control Drawing

### Limited Distribution

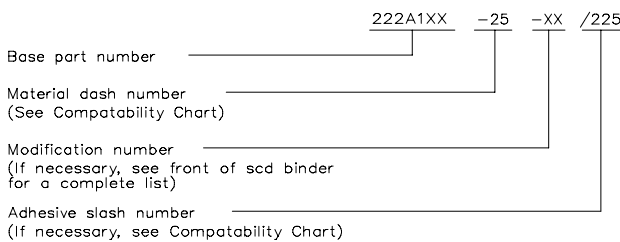
Part Number : 222A111 thru 196-25/225

Description : Boot, 90°, Thin Wall

COMPATABILITY CHART

MATERIAL DASH NO.	MATERIAL DESCRIPTION	RT SPEC	COATING SLASH NO.	COATING S NO.	COATING DESCRIPTION
-25	Elastomer, Fluid Resistant	RT-1325	/225	S-1206	Adhesive

#### ORDERING INFORMATION



THIS DRAWING IS SUBJECT TO CHANGE WITHOUT NOTICE; CONSULT YOUR NEAREST FIELD REPRESENTATIVE FOR CURRENT REVISION

If this document is printed it becomes uncontrolled.  
Check for the latest revision.

**Raychem**

RAYCHEM CORPORATION  
300 CONSTITUTION DRIVE  
MENLO PARK, CALIFORNIA 94025  
(415) 361-6055

Revision : A

Date : 5/27/93

Part Number : 222A111 thru 196-25/225

Description : Boot, 90°, Thin Wall

CAD FILE MP93158